

2 REB05系列 大规格弹簧加压电磁制动器

REB05 Large-sized Spring-applied Electromagnetic Brakes

产品特点

- ⊙ REB05大规格系列是一种弹簧加压的干式摩擦电磁制动器,具有可靠的制动力和保持力,广泛应用于各种需要减速制动和保持制动的场合。
- ⊙ 制动器额定电压(VDC):24V、45V、96V、103V、170V、180V、190V、205V
- ⊙ 电网电压范围(VAC):42~460V
- ⊙ 制动器扭矩范围:4~125N.m
- ⊙ 获得国家起重运输机械质量监督检验中心型式实验合格证
- ⊙ 根据不同附件模块选择,防护等级最高可达IP67

应用范围

- ⊙ 制动电机
- ⊙ 木工机械
- ⊙ 自动化技术
- ⊙ 减速电机
- ⊙ 包装机械
- ⊙ 伺服电机
- ⊙ 起重设备
- ⊙ 电动车
- ⊙ 代步车

Product Features

- ⊙ REB-05 series of large-sized products are spring-applied and dry-friction electromagnetic brakes, with reliable braking and holding forces. They are widely used in various of holding braking and deceleration braking occasions
- ⊙ Rated voltage of Brake (VDC): 24V,45V,96V,103V,170, 180V, 190V,205V
- ⊙ Adaptable to various network Voltage(VAC):42~460V
- ⊙ Large scope of the braking torque: 4~125N.m
- ⊙ Certificated by national hoisting and conveying machinery quality supervision and inspection center type test
- ⊙ By selecting different modules, the highest protection level can reach to Ip65

Application

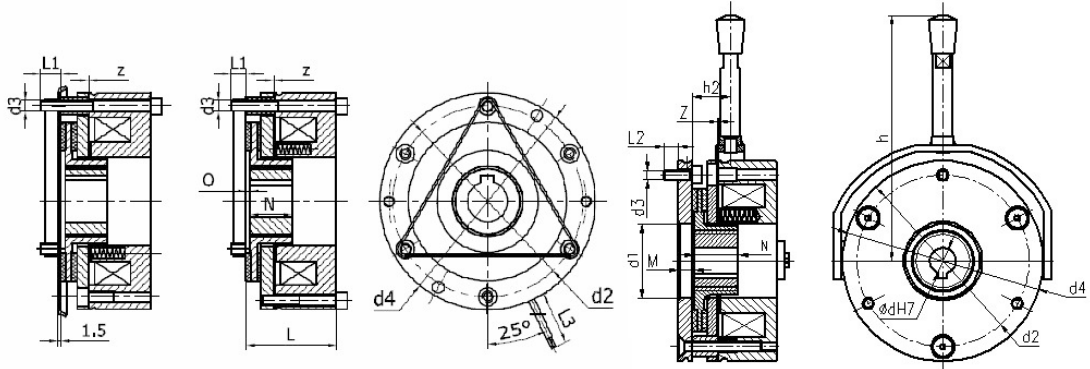
- ⊙ Brake Motor
- ⊙ Carpenter Machinery
- ⊙ Automatic technology
- ⊙ Gear Motor
- ⊙ Package machinery
- ⊙ Servo motor
- ⊙ Hoisting Equipment
- ⊙ Electric Vehicle
- ⊙ Electric Scooter

技术参数

Technical Data

REB05系列大规格制动器各配置尺寸

Dimensions for REB05 Large-sized Brakes



机座号	T	Tmax	d	d1	d2	d3	d4	M	N	O	L	L1	L2	h	h2	z	L3
06	4	6	11	31	72	3×M4	84	7.5	18	1	35.3	9.7	6	102	15.8	0.2	400
08	8	12	15	42	90	3×M5	102	8.5	20	1.5	42.8	12.2	9	114	16.3	0.2	400
10	16	23	15	44	112	3×M6	130	10	20	2	48.4	11.2	12	129	27.4	0.2	400
12	32	46	20	52	132	3×M6	150	10	25	2	54.4	11	12	162	30	0.3	400
14	60	95	25	60	145	3×M8	165	13	30	2	66.3	14	14	201	33	0.3	1000
16	80	125	30	70	170	3×M8	190	13.3	30	2.25	72.5	12.5	14	250	37.4	0.3	1000

⊙ T为额定扭矩 (N.m)

⊙ T represents rated torque(N.m)

⊙ 表中L3为导线长度，特殊要求可以定制。

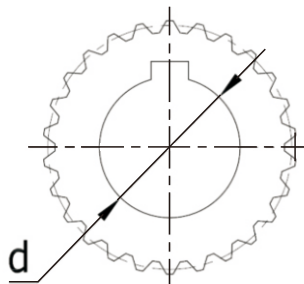
⊙ L3 listed in the Table represents the length of the conductor, which could be ordered.

花键套内孔可选安装尺寸

Optional Mounting Sizes for the Inner Bore of the Splined Hub

安装孔公差为H7，键槽尺寸符合DIN6885/1(GB/T1095-79)JS9，其中加粗的孔径为基本尺寸。

The mounting hole tolerance is H7. The dimension of keyway satisfies DIN6885/1(GB/T1095-79)JS9. The apertures presented in bold letters are basic dimensions.



机座号 Size NO.	d
06	11 /12/14/15
08	11/12/14/ 15 /20
10	15 /20
12	20 /25
14	20/ 25 /30
16	25/ 30 /35/38